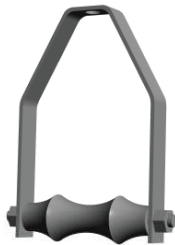


CLEVIS ROLLER HANGER

Model 679



SIZE:

2" thru 24"

FINISH:

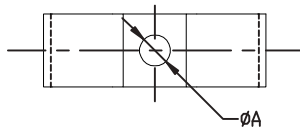
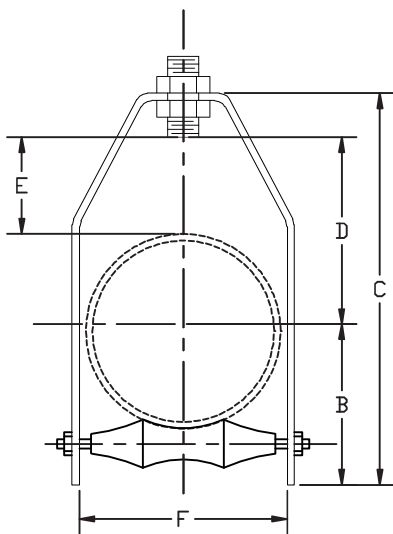
Plain

FUNCTION:

Designed for the suspension of pipe where longitudinal movement of pipe may occur due to expansion and contraction, and where vertical adjustment may be necessary

FEATURES:

- Maximum temperature 450° F
- Designed to be compatible with Elite Components Roller
- Conforms with Federal Specification A-A-1192A (Type 41/43), W-W-171-E (Type 42/44), Manufacturers Standardization Society (MSS) SP-58 and SP-69 (Type 41/43)



Clevis Roller Hanger: Loads (LBS) • Weights (LBS) • Dimensions (IN)

ITEM CODE PLAIN	SIZE	MAX LOAD	WEIGHT	A	B	C	D	E	F
679-0200P	2	150	1.23	3/8-16	1 1/16	4 3/4	2 3/8	1 7/16	2 7/8
679-0250P	2 1/2	225	1.78	1/2-13	1 7/8	6	3 3/16	2	3 1/4
679-0300P	3	310	2.06	1/2-13	2 3/16	6 5/8	3 1/2	2	3 3/8
679-0400P	4	475	3.44	5/8-11	2 3/4	7 7/8	4	2	4 7/8
679-0500P	5	685	6.00	5/8-11	3 3/8	9 3/16	4 9/16	2	5 15/16
679-0600P	6	780	8.00	3/4-10	3 15/16	10 3/8	5 1/16	2	7
679-0800P	8	780	13.00	3/4-10	5 1/16	12 5/8	6 1/16	2	9
679-1000P	10	965	16.00	7/8-9	6 1/4	14 15/16	7 3/16	2 1/16	11 1/8
679-1200P	12	1200	26.00	7/8-9	7 3/8	17 3/8	8 3/8	2 1/4	13 3/8
679-1400P	14	1200	34.00	1-8	8 1/4	19	8 3/4	2 1/4	14 1/2
679-1600P	16	1200	39.00	1-8	9 1/4	20 3/4	9 3/4	2	16 3/8
679-1800P	18	1400	49.00	1-8	10 3/8	23 11/16	11 7/16	2 11/16	18 3/8
679-2000P	20	1600	66.86	1 1/4-7	11 1/2	25 7/8	12 1/4	2 1/2	20 3/8
679-2400P	24	1800	116.30	1 1/2-6	13 13/16	31 1/16	15	3 1/2	24 5/8

PIPE ROLLERS



TWO ROD ROLLER

Two Rod Roller w/ Axle Model 689

SIZE:

2" thru 30"

FINISH:

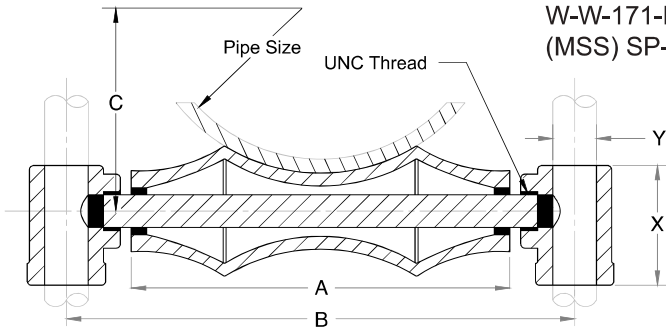
Plain

FUNCTION:

For support of pipe where horizontal movement due to expansion and contraction will occur

FEATURES:

- Maximum temperature 450° F
- Designed to be compatible with Elite Components Roller
- Conforms with Federal Specification A-A-1192A (Type 41/43), W-W-171-E (Type 42/44), Manufacturers Standardization Society (MSS) SP-58 and SP-69 (Type 41/43)



Two Rod Roller w/ Axle: Loads (LBS) • Weights (LBS) • Dimensions (IN)

ITEM CODE PLAIN	SIZE	MAX LOAD	WEIGHT	A	B	C	X	HANGER ROD Y
689-0200P	2	600	1.19	2 ⁵ / ₈	4 ¹ / ₈	1 ⁷ / ₈	1 ¹ / ₄	1/2
689-0250P	2 ¹ / ₂	660	1.40	3 ³ / ₈	5 ⁵ / ₈	2 ¹ / ₄	1 ¹ / ₄	1/2
689-0300P	3	750	1.70	3 ¹ / ₄	6 ¹ / ₈	2 ⁵ / ₈	1 ¹ / ₄	1/2
689-0400P	4	750	1.88	4 ³ / ₄	6 ¹ / ₁₆	2 ⁷ / ₈	1 ¹ / ₄	1/2
689-0500P	5	750	2.46	5 ³ / ₄	7 ¹⁵ / ₁₆	3 ¹ / ₂	1 ¹ / ₁₆	5/8
689-0600P	6	1070	5.04	6 ⁷ / ₈	9 ⁹ / ₁₆	4	1 ¹ / ₁₆	5/8
689-0800P	8	1350	6.58	8 ⁷ / ₈	12	5 ¹ / ₄	1 ¹³ / ₁₆	3/4
689-1000P	10	1730	8.49	11	14	6 ⁵ / ₁₆	2 ¹ / ₈	7/8
689-1200P	12	2400	12.00	13	15 ³ / ₄	7 ¹ / ₂	2 ¹ / ₈	7/8
689-1400P	14	3130	22.89	14 ¹ / ₄	17 ⁵ / ₈	8 ³ / ₈	2 ¹ / ₈	7/8
689-1600P	16	3970	24.97	16 ¹ / ₄	19 ⁵ / ₁₆	9 ⁹ / ₁₆	2 ¹ / ₄	1
689-1800P	18	4200	28.99	18 ¹ / ₄	21 ⁵ / ₁₆	10 ⁷ / ₁₆	2 ¹ / ₄	1
689-2000P	20	4550	36.37	20 ¹ / ₄	24 ¹ / ₈	11 ¹ / ₂	3	1 ¹ / ₄
689-2400P	24	6160	56.64	24 ¹ / ₄	28 ³ / ₈	13 ⁵ / ₁₆	3 ³ / ₈	1 ¹ / ₂
689-3000P	30	7290	94.37	30 ⁷ / ₁₆	35 ³ / ₈	17 ⁵ / ₁₆	3 ³ / ₈	1 ¹ / ₂



PIPE ROLLER

Cast Iron
Model 609

Pipe Roller: Loads (LBS) • Weights (LBS) • Dimensions (IN)

ITEM CODE PLAIN	SIZE	WEIGHT
609-0200P	2	0.63
609-0250P	2½	0.63
609-0300P	3	0.63
609-0400P	4	0.65
609-0500P	5	1.00
609-0600P	6	2.55
609-0800P	8	2.55
609-1000P	10	3.55
609-1200P	12	6.70
609-1400P	14	9.15
609-1600P	16	12.70
609-1800P	18	13.90
609-2000P	20	17.25
609-2400P	24	30.90



SOCKETS

Model 639

Sockets: Loads (LBS) • Weights (LBS) • Dimensions (IN)

ITEM CODE PLAIN	SIZE	WEIGHT
639-0500P	5C	0.45
639-0812P	7E	1.15
639-1400P	8G	1.40
639-1618P	8H	1.50
639-3000P	10K	3.93



YOKE

Carbon Steel
Model 659

Yoke: Loads (LBS) • Weights (LBS) • Dimensions (IN)

ITEM CODE PLAIN	SIZE	WEIGHT
659-0200P	2	0.45
659-0250P	2½	0.66
659-0300P	3	1.08
659-0400P	4	1.74
659-0500P	5	2.12
659-0600P	6	3.02
659-0800P	8	3.73
659-1000P	10	7.80
659-1200P	12	9.06
659-1400P	14	14.85
659-1600P	16	20.76
659-1800P	18	23.67
659-2000P	20	39.94
659-2400P	24	47.91